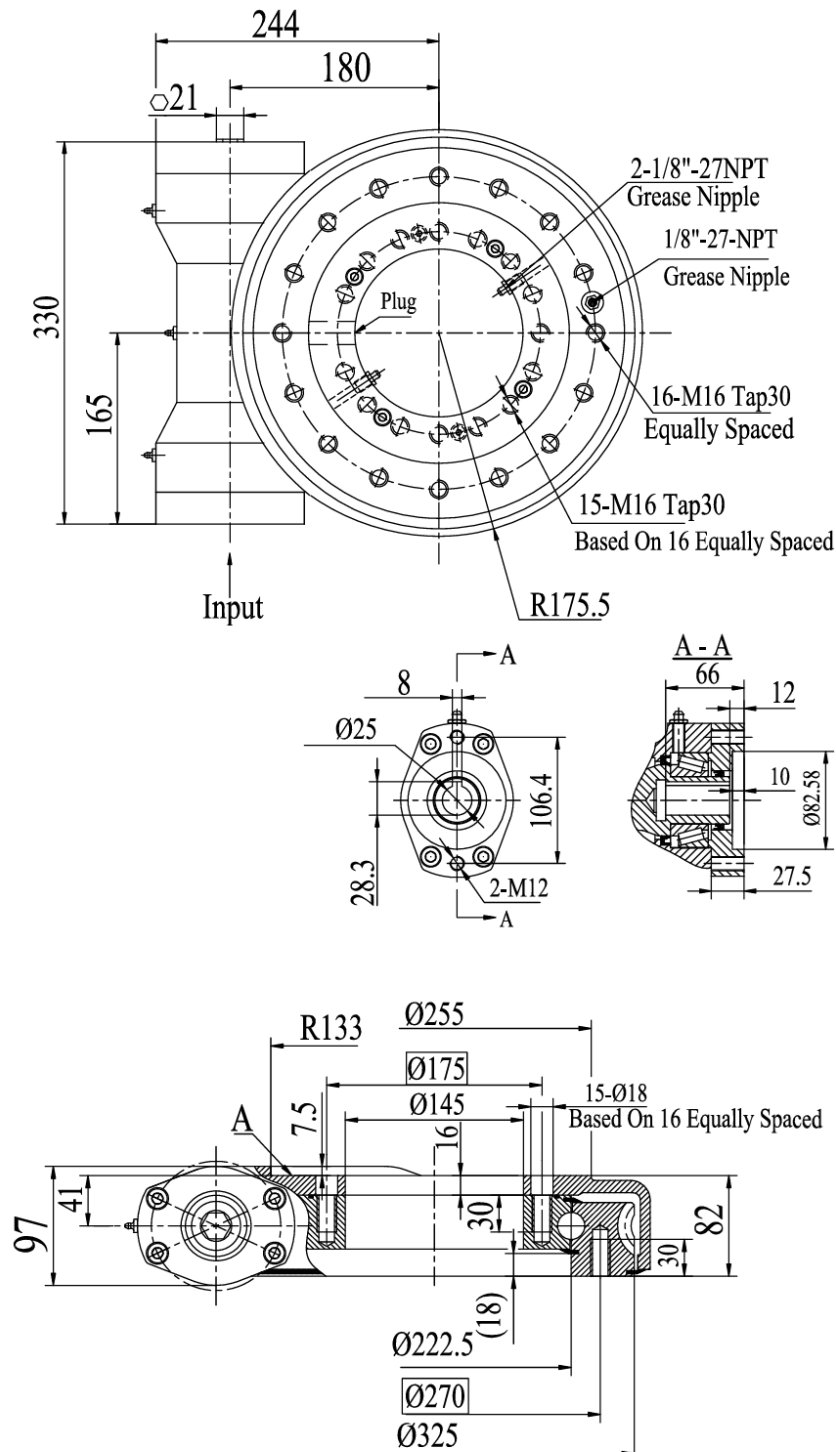
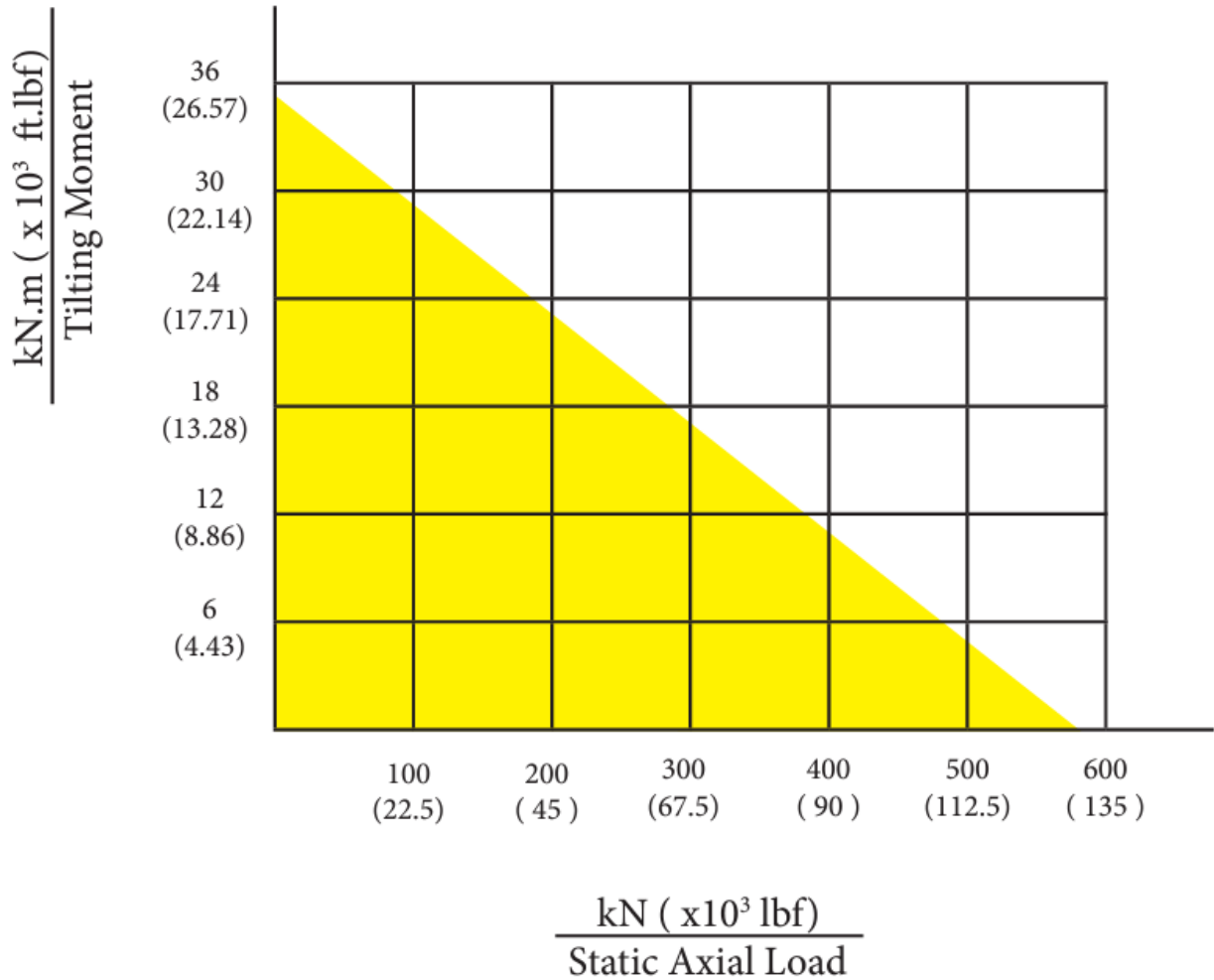


DATASHEET - DIMENSIONS

WE9-62-25H-R





Weight:	48,5 kg
Axial load:	static - 578 kN, dynamic - 136 kN
Radial load:	static - 215 kN, dynamic - 115 kN
Tilting torque:	35,6 kNm
Holding torque:	38,7 kNm
Transmission Ratio:	62:1
Output torque:	8 kNm